

TPG2014-E Digital Pressure Gauge

Features

- 4 digits LCD showing pressure accurately in real time, easy for observation
- Various pressure units, zero clearing, backlight, on/off functions
- Battery powered, low-power design keeping working for 12 months
- All stainless steel shell, small size, low cost

Application

- Machinery and electronics
- Supporting equipment of instruments
- Pressure laboratory
- Mechanical engineering automation

Notes:

- 1 Do not touch the diaphragm with hard objects, which may cause damage to the diaphragm.
- 2 Please read the Instruction Manual of the product carefully before installation and check the relevant information of the product.
- 3 Strictly follow the wiring method for wiring, otherwise it may cause product damage or other potential faults.
- 4 Misuse of the product may cause danger or personal injury.



Overview

TPG2014-E is a high precision intelligent digital pressure gauge. It has a high-precision sensor and displays pressure accurately in real time. It has advantages of high precision and good long term stability.

TPG2014-E is equipped with a large size LCD, featuring with functions of zero clearing, backlight, on/off button, units switching and low pressure alarm. It is convenient to install and easy to operate.

The housing and connector of TPG2014-E are made of stainless steel 304 with excellent vibration resistance. It can be used to measure gas, liquid, oil and other non-corrosive medium of stainless steel.

TPG2014-E is applicable to portable pressure measurement and equipment supporting and calibration fields.

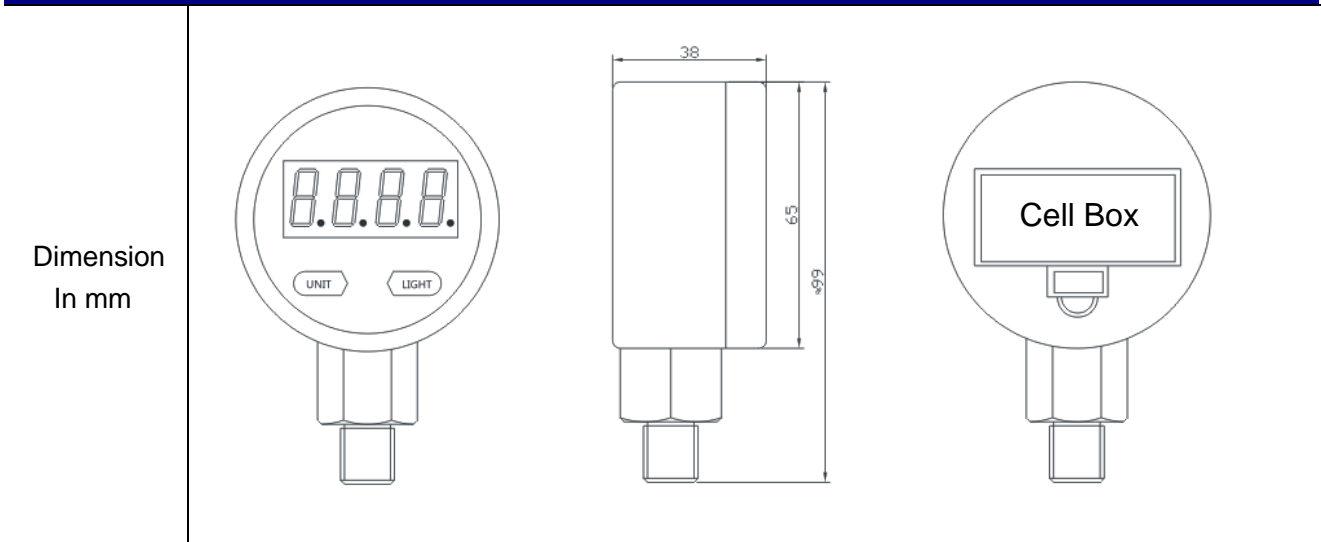
Notes:

- 1 Do not misuse documentation.
- 2 The information presented in this product sheet is for reference only. Do not use this document as a product installation guide.
- 3 Complete installation, operation, and maintenance information is provided in the instructions of the product.
- 4 Misuse of the product may cause danger or personal injury.

Performance parameters

Pressure range	0~160kPa...25MPa
Pressure reference	Gauge pressure, Sealed gauge pressure
Accuracy	1%FS
Backlight color	White
Operating temp.	-10~70°C
Compensated temp.	0~60°C
Electric protection	Anti electromagnetic interference design
Sampling frequency	2/sec
Overpressure	150%FS
Long term stability	±0.5%FS/year (typical)
Battery	2 Triple A batteries
Material	Stainless steel for shell, 316L for isolation diaphragm
Medium compatibility	All media compatible with stainless steel 316

Structure & dimensions



Pressure port

Type	C1: M20×1.5	C3: G1/4	C7: NPT1/2
Dimension In mm			

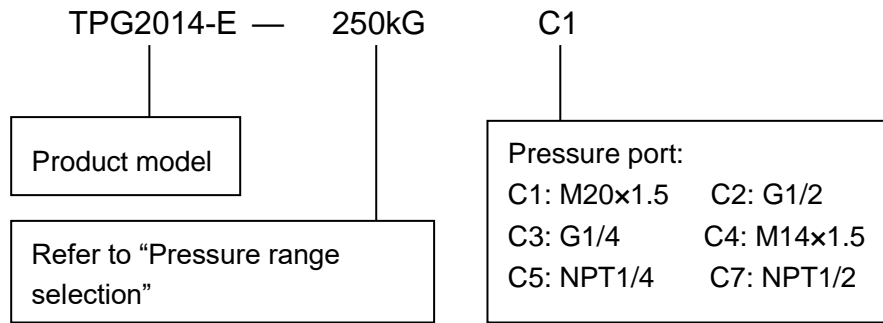
Note: Common threads are M20×1.5, G1/4, G1/2, M14×1.5, NPT1/4 and NPT1/2. Special threads can be customized for batch order.

Pressure range selection

Pressure range code	Pressure reference	Pressure range	Overpressure	Burst pressure	Remark
160kG	G	160kPa	100%FS	200%FS	
250kG	G	250kPa	100%FS	200%FS	
400kG	G	400kPa	100%FS	200%FS	
600kG	G	600kPa	100%FS	200%FS	
1MG	G	1MPa	100%FS	250%FS	
1.6MS	S	1.6MPa	100%FS	250%FS	
2.5MS	S	2.5MPa	100%FS	250%FS	
4MS	S	4MPa	100%FS	250%FS	
6MS	S	6MPa	100%FS	200%FS	
10MS	S	10MPa	100%FS	200%FS	
16MS	S	16MPa	100%FS	200%FS	
25MS	S	25MPa	100%FS	200%FS	

Note: G stands for gauge pressure, S, sealed gauge pressure.

How to order



Example: TPG2014-E-250kGC1

Refer to product model TPG2014-E, with pressure range 0 ~ 250kPa, gauge pressure, and pressure port M20x1.5.

TEKSENS reserves the right to make any change in this publication without notice. The information provided is believed to be accurate and reliable as of this product sheet.

Contact us

Teksens Proses Ölçüm Ekipmanları Ltd. Şti.

Website: www.teksens.com.tr